

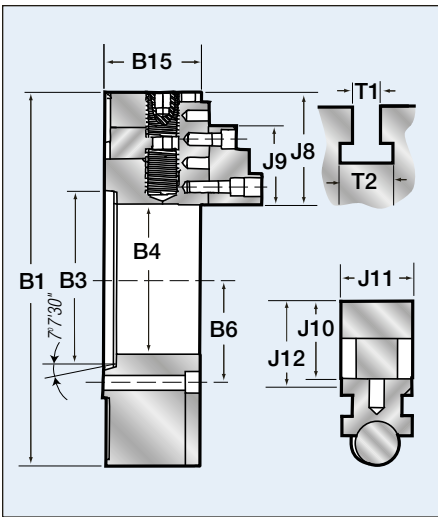


Atlas Workholding King Bore Oil Country 4-Jaw Independent Chucks

Series 432EX Extra Heavy-Duty Sizes 18" thru 48"

- ⊕ Forged Steel Body
- ⊕ Extra Heavy Duty American Standard, Hard Top and Master Jaws.
- ⊕ Gripping surfaces serrated for more holding power
- ⊕ Large Thru-Holes Standard
- ⊕ T-Slots Standard
- ⊕ Direct A Type Mounting
- ⊕ One Year Warranty
- ⊕ Available in smaller and larger sizes on request

Manual Chucks with Mounting Plates



| Chuck Size | Model No. | Mount | Thru Hole | Max rpm's | Approx. Weight |
|------------|-------------|-------|-----------|-----------|----------------|
| 18 | 1843-2A11EX | A2-11 | 6.50" | 1100 | 350 lbs |
| 21 | 2143-2A11EX | A2-11 | 6.50" | 1000 | 540 lbs |
| 21 | 2143-2A15EX | A2-15 | 7.30" | 1000 | 533 lbs |
| 24 | 2443-2A11EX | A2-11 | 6.50" | 850 | 720 lbs |
| 24 | 2443-2A15EX | A2-15 | 11.00" | 850 | 700 lbs |
| 24 | 2443-2A20EX | A2-20 | 12.59" | 850 | 685 lbs |
| 28 | 2843-2A15EX | A2-15 | 10.50" | 700 | 905 lbs |
| 28 | 2843-2A20EX | A2-20 | 12.59" | 700 | 920 lbs |
| 32 | 3243-2A15EX | A2-15 | 10.50" | 600 | 1265 lbs |
| 32 | 3243-2A20EX | A2-20 | 12.59"* | 600 | 1255 lbs |
| 36 | 3643-2A20EX | A2-20 | 12.59"* | 600 | 1930 lbs |
| 40 | 4043-2A20EX | A2-20 | 12.59"* | 500 | 2350 lbs |
| 40 | 4043-2A28EX | A2-28 | 18.50" | 500 | 2275 lbs |

*Optional 14.5" thru hole
Consult factory for 48" and larger sizes.

Dimensional Data 4-Jaw Independent King Bore Oil Country Chuck

| Model No. | B1 O. D. | B3 Mount Type | B4 Mount Recess | B6 Thru Hole | B15 Mounting Bolt Radius | J8 Body Width | J9 Master Jaw Length | J10 Top Jaw Length | J11 Top Jaw Height | J12 Top Jaw Width | T1 Top Jaw Height From Face | T2 T-Slot | T2 T-Slot |
|-------------|-------------|------------------|--------------------|-----------------|-----------------------------|------------------|-------------------------|-----------------------|-----------------------|----------------------|--------------------------------|--------------|--------------|
| 1843-2A11EX | 18" | A2-11 | 7.75" | 6.50" | 4.625" | 5.75" | 6.50" | 5.00" | 2.87" | 2.40" | 3.26" | .855" | 1.565" |
| 2143-2A11EX | 21" | A2-11 | 7.75" | 6.57" | 4.625" | 5.75" | 6.50" | 5.00" | 2.87" | 2.40" | 3.26" | .855" | 1.565" |
| 2143-2A15EX | 21" | A2-15 | 11.25" | 7.30" | 6.50" | 5.75" | 6.50" | 5.00" | 2.87" | 2.40" | 3.26" | .855" | 1.565" |
| 2443-2A11EX | 24" | A2-11 | 7.75" | 6.57" | 4.625" | 6.10" | 7.75" | 5.00" | 3.26" | 3.00" | 3.62" | .855" | 1.565" |
| 2443-2A15EX | 24" | A2-15 | 11.25" | 10.51" | 6.50" | 6.10" | 7.75" | 5.00" | 3.26" | 3.00" | 3.62" | .855" | 1.565" |
| 2443-2A20EX | 24" | A2-20 | 16.25" | 12.59" | 9.125" | 6.10" | 7.75" | 5.00" | 3.26" | 3.00" | 3.62" | .855" | 1.565" |
| 2843-2A15EX | 28" | A2-15 | 11.25" | 10.51" | 6.50" | 6.10" | 7.75" | 5.00" | 3.26" | 3.00" | 3.62" | .855" | 1.565" |
| 2843-2A20EX | 28" | A2-20 | 16.25" | 12.59" | 9.125" | 6.10" | 7.75" | 5.00" | 3.26" | 3.00" | 3.62" | .855" | 1.565" |
| 3243-2A15EX | 32" | A2-15 | 11.25" | 10.51" | 6.50" | 6.50" | 7.75" | 5.00" | 3.26" | 3.00" | 3.62" | .855" | 1.565" |
| 3243-2A20EX | 32" | A2-20 | 16.25" | 12.59" | 9.125" | 6.50" | 7.75" | 5.00" | 3.26" | 3.00" | 3.62" | .855" | 1.565" |
| 3643-2A20EX | 36" | A2-20 | 16.25" | 12.59" | 9.125" | 6.50" | 7.75" | 5.00" | 3.26" | 3.00" | 3.62" | .855" | 1.565" |
| 4043-2A20EX | 39.37" | A2-20 | 16.25" | 12.59" | 9.125" | 6.50" | 7.75" | 5.00" | 3.26" | 3.00" | 3.62" | .855" | 1.565" |
| 4043-2A28EX | 39.37" | A2-28 | 23.00" | 18.50" | 12.75" | 6.50" | 7.75" | 5.00" | 3.26" | 3.00" | 3.62" | .855" | 1.565" |

HOW TO ORDER: State quantity, Model Number of chuck, Part Number of adapter, and shipping instructions.