



# Atlas Workholding 4 Jaw Large Diameter Combination Chuck

## 24" - 72" Chucks

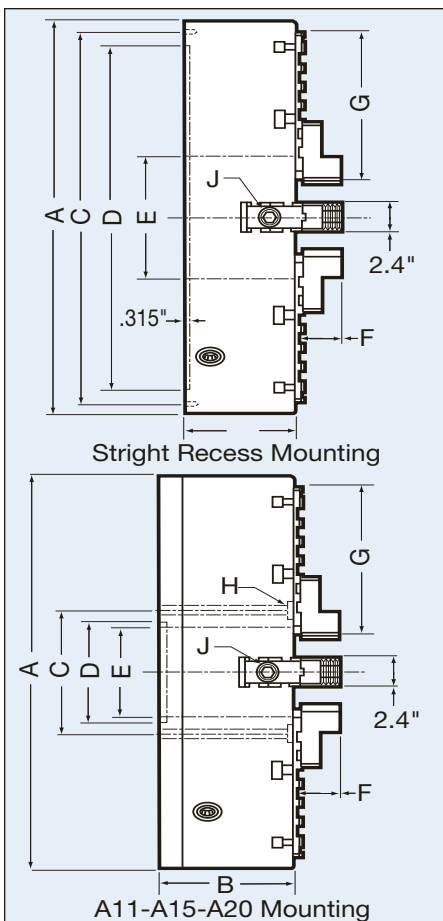
- ⊗ Forged steel body
- ⊗ Induction hardened in areas of friction
- ⊗ Chuck bodies fully ground, including guideways
- ⊗ Two piece jaws according to ASA norms
- ⊗ Steel jaws cement hardened, treated and ground on all surfaces
- ⊗ Scroll induction hardened and ground on spiral and internal diameter
- ⊗ Operating screws hardened and ground
- ⊗ Larger sizes available upon request
- ⊗ Also available in 3-Jaw and 6-Jaw

Chuck Size	Recessed Mount Steel	Straight D Mount Type Steel		A Spindle Mount Steel	
24"	2427300	D-11	2427325	A2-11	2427313
		D-15	2427326	A2-15	2427314
28"	2827300	D-11	2827325	A2-11	2827313
		D-15	2827326	A2-15	2827314
32"	3227300	D-11	3227325	A2-11	3227313
		D-15	3227326	A2-15	3227314
				A2-20	3227315
36"	3627300	D-11	3627325	A2-11	3627313
		D-15	3627326	A2-15	3627314
				A2-20	3627315
40"	4027300	D-15	4027326	A2-15	4027314
				A2-20	4027315

For sizes larger than 40" consult factory

### Dimensional Data (in inches)

SIZE A	Mount	B	C	D	E	F	G	H	J
24"	Recess	7.68"	23.07"	21.45"	7.09/10.55"	3.39"	8.35/7.09"	6xM16	1.57"
	A11	8.66"	9.25"	7.75	7.09"	3.39"	8.35"	-	1.57"
	A15	9.65"	13.00"	11.25	10.51"	3.39"	7.09"	-	1.57"
27.5"	Recess	7.87"	25.98"	23.82	7.56/10.55"	3.39"	9.72/8.35"	6xM20	1.57"
	A11	8.86"	9.25"	7.75	7.56"	3.39"	9.72"	-	1.57"
	A15	8.86"	13.00"	11.25	10.51"	3.39"	8.35"	-	1.57"
31.5"	Recess	8.07"	29.92"	27.76	10.55/15.00"	3.39"	9.72/7.24"	6xM20	1.57"
	A11	9.06"	9.25"	7.75	7.56"	3.39"	10.71"	-	1.57"
	A15	9.06"	13.00"	11.25	10.51"	3.39"	9.72"	-	1.57"
35.43"	A20	9.06"	18.25"	16.25	15.00"	3.39"	7.24"	-	1.57"
	Recess	8.46"	33.46"	31.69	11.02/15.00"	3.39"	10.71/9.72"	6xM24	1.57"
	A11	9.45"	9.25"	7.75	7.56"	3.39"	10.71"	-	1.57"
39.37"	A15	9.45"	13.00"	11.25	11.02"	3.39"	10.71"	-	1.57"
	A20	9.45"	18.25"	16.25	15.00"	3.39"	9.72"	-	1.57"
	Recess	8.86"	37.40"	35.63	11.02/16.06"	3.39"	12.87/10.71"	6xM24	1.57"
39.37"	A15	9.84"	13.00"	11.25	11.02"	3.39"	12.87"	-	1.57"
	A20	9.84"	18.25"	16.25	16.06"	3.39"	10.71"	-	1.57"



**HOW TO ORDER:** State quantity, Model Number of chuck and shipping instructions.